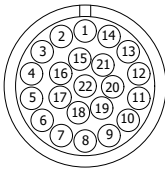
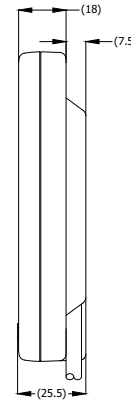
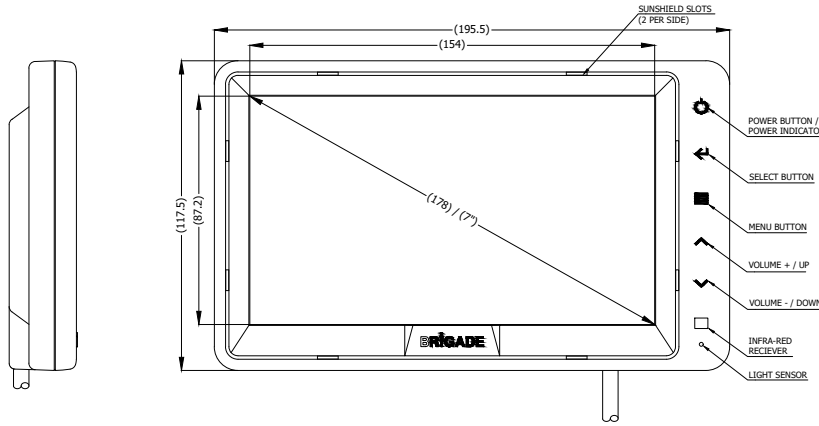
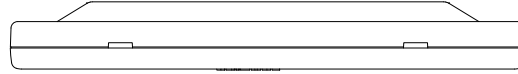
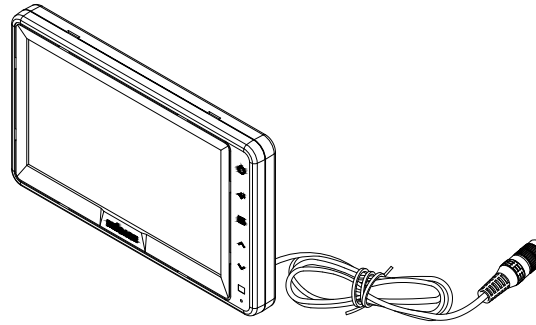


PIN#	DESCRIPTION	COLOUR
1	+12/24V	RED
2	TRIGGER 3	WHITE/BLUE
3	TRIGGER 2	BLUE
4	TRIGGER 4	BROWN
5	TRIGGER 1	PURPLE
6	GROUND	SHIELD
7	CA1 VIDEO	YELLOW
8	CA1 AUDIO	WHITE/YELLOW
9	CA1 +12V	LIGHT RED
10	CA2 VIDEO	WHITE
11	CA2 AUDIO	LIGHT GREEN
12	GROUND	BLACK
13	CA2 +12V	WHITE/RED
14	CA3 +12V	WHITE/GREEN
15	CA4 VIDEO	ORANGE
16	CA4 AUDIO	LIGHT BLUE
17	CA4 +12V	GREEN
18	CA3 VIDEO	WHITE/ORANGE
19	CA3 AUDIO	WHITE/- GREEN
20	TRIGGER 5	WHITE/BLACK
21	NOT USED	NO CONNECTION
22	NOT USED	NO CONNECTION

VIEW A

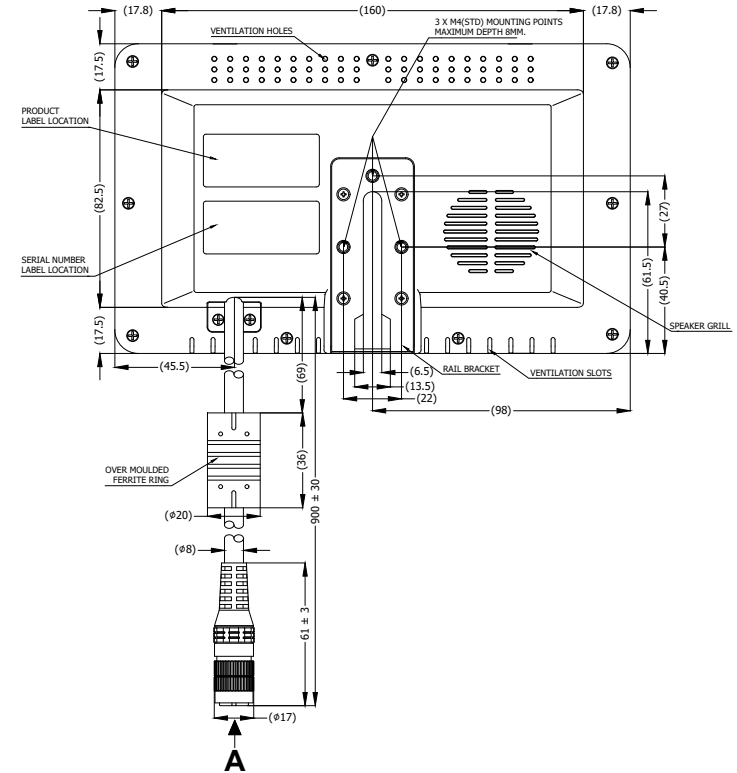


22 PIN MALE MATING FACE



Revision Notes.

R1 - FIRMWARE UPDATE TO SOLVE EXITING QI'S (REF. ECR-A682).				
APA: S.ZENG (17/07/19)	Drawn: J.STEWART	Checked: W.BEAZLEY	Approved: L.PILLAY	Date: 17/07/2019
R2 - FIRMWARE UPDATE TO SOLVE EXITING QI'S (REF. ECR-A750).				
APA: S.ZENG (20/07/2020)	Drawn: J.STEWART	Checked: S.GOVENDER	Approved: B.CHILDS	Date: 24/07/2020



- NOTES:**
1. COLOUR OF CONNECTOR A IS BLACK.
 2. REFER TO "PRODUCT SPECIFICATION" FOR MORE DETAILS.
 3. FOR LABEL AND PACKAGING DETAIL REFER TO THE LATEST VERSION OF THE MASTER BOM.
 4. FIRMWARE VERSION BE-VBV-770FM-V1.5 TO BE PRELOADED TO THE MAIN BOARD. & FIRMWARE VERSION ATINY1616-MO727-V11 TO BE PRELOADED TO THE KEYPAD BOARD DURING MANUFACTURE.
 5. HOUSING MATERIAL: ABS PLASTIC, RAIL BRACKET MATERIAL: STEEL.
 6. KEYPAD BUTTONS / SYMBOLS & EMBOSSED LOGO TO BE WHITE, INFRA-RED RECEIVER WINDOW TO BE TRANSLUCENT.
 7. FINISH: BLACK COLOUR WITH SOFT TOUCH PAINT.
 8. FERRITE SPECIFICATION: 100Ω @ 25MHz, 200Ω @ 100MHz.

PROPRIETARY NOTICE
 THIS DESIGN AND TECHNICAL INFORMATION APPEARING ON THIS DRAWING IS THE PROPERTY OF BRIGADE ELECTRONICS, AND IS DISCLOSED IN CONFIDENCE. IT IS NOT TO BE COPIED, REPRODUCED, REVEALED TO OR EXPROPRIATED BY OTHERS, EITHER IN WHOLE OR IN PART WITHOUT THE EXPRESS WRITTEN CONSENT OF BRIGADE ELECTRONICS.



Assembly Pl Approval SHADOW (STONKAM)	Approved by S.LAVER	Checked by R.BATES	Drawn by J.STEWART
Angle of Projection 	Units mm	Scale N/A	Released 14/02/19
Status RELEASED	Assembly Ref 13331013001		
Part No 4893A	VBV-770FM-M BE-003956-02-18		